



The system provider of electronic driving data registration systems and accessories for public transport.

- Journey Data Recording
- Tachometer/Speed Recorder
- Function Control in Vehicle (Vigilance/Dead man etc.)
- Journey Data Analysis



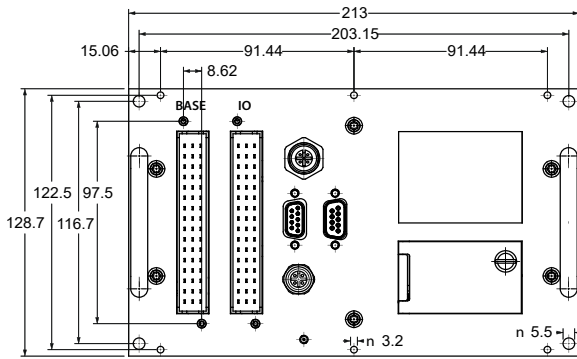
asis® VS-100

**ROLLING STOCK MANUFACTURERS
PUBLIC TRANSPORT OPERATORS
RAILWAY COMPANYS**

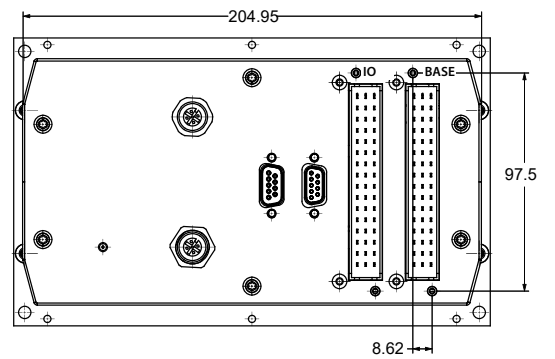
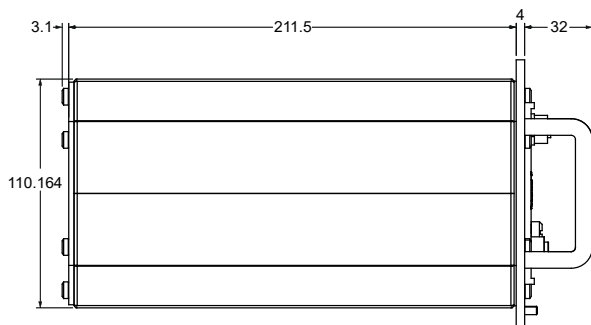
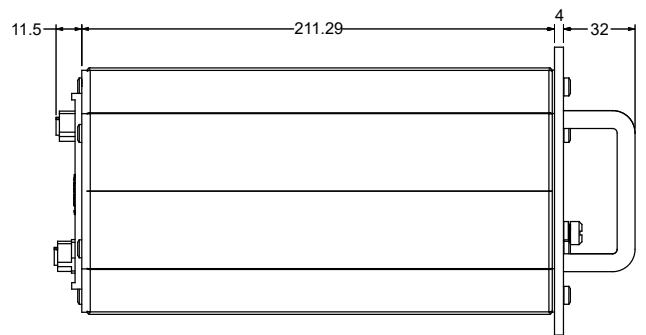
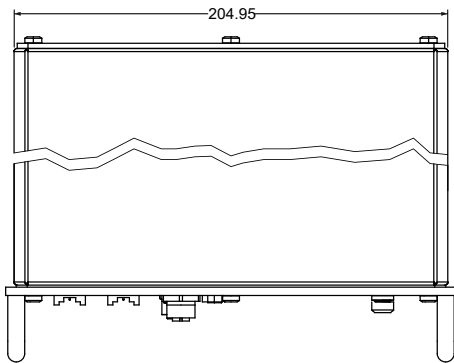
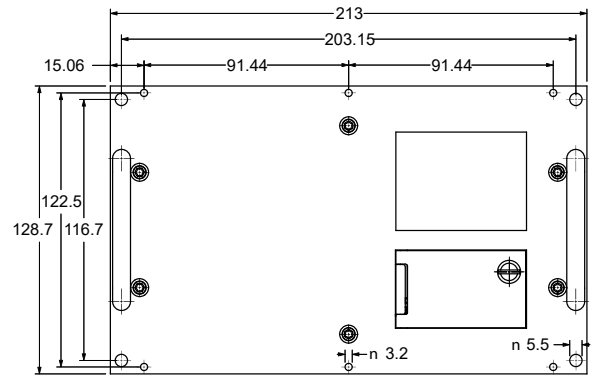
Housing version		Part insert for 19" rack
Supply voltage		Nominal 24-72VDC (14-150VDC peak)
Ambient operation Temperature		-25...+85°C nach EN 50155 (T3)
Power consumption		8-12 Watt
Digital Inputs	upto128	Of which: 16x internal, 1x individually galv. insulated, all other galv. insulated with common ground, 0-150VDC, threshold voltage $\geq 6V$, typically 2mA constant current characteristic, counter function, up to 48 external via sdxCAN (I/O modules), up to 64 external via CANopen
Frequency input	2	Galvanically isolated frequency inputs for active and passive encoders, configurable. Range: 0-2kHz (f-max: 4 KHz), adjustable voltage sources 5-15VDC for each encoder, both sources together I _{max} : 100mA
Analog inputs	2	Analog inputs 0-10VDC/0-20mA or 2-10VDC/4-20mA, freely scalable, $\pm 500V$ common mode, 500Ohm load resistor switchable (current input)
Analog inputs additional	upto 16	Via CANopen (option)
Relais outputs	8	Change-over contact, P _{max} : 80W, U _{max} : 150VDC, I _{max} : 1A. I _{max} peak: 2A, protection with 150VTVS diode
BINOUT (Safety OUT)	1	With FET transistor circuit, I _{max} : 1A, I _{max} peak: 1.2A, switching voltage: 2-72 VDC, Overload current shutdown, 1A f melt fuse
Electronic switching contacts	4	Galvanically isolated FET transistors, U _{max} : 150 VDC, I _{max} : 800mA, I _{max} . peak: 2A, thermal shutdown on overload, transistor 3 optional for BFA pulse output
Analog output	1	Galvanically isolated, adjustable between 0-10V/2-10V and 0-20mA/4-20mA, Source switch for switching the corresponding source to this output (analog-in, speed)
Interfaces	1	DIN 41612, 3x16 Pin on front or rear of device
	2	sdxCAN for connecting asis system peripherals, M12 connector
	1	RS-485 for safety applications with the asis VS-100 DUAL system
	1	IBIS2 interface for the IBIS control system
	1	Mini USB interface for data transfer, (lockable with seal)
	1	Ethernet (option), M12 D, 4 pin female, coded with TCP/IP (10/100), http, FTP, UDP, etc.
	1	CANopen (option), 2x Sub D9 Pol. (1x male, 1x female) CiA DS 102, DS 301 and standard I/O module according to device profile DS 401
	Operation	1
Storage media		SDHC FLASH-Card according to industry standard, up to 32 GB fast MRAM (magnetoresistive) memory and internal NOR Flash for captive storage of the residual path (internal memory)
Additional functions	1	Integrated KM (miles) counter in display, automatic summer time according to CEST, time synchronisation selectable between GPS, IBIS2, CANopen or RS-485
	1	BFA pulse output (option), travel pulse from transistor output 3, (typically 1-20 pulses/m)
Freely programmable		With asisAL (Application Language)
Weight		2.6kg

***Subject to alterations

Front plugs



Rear plugs



***Subject to alterations